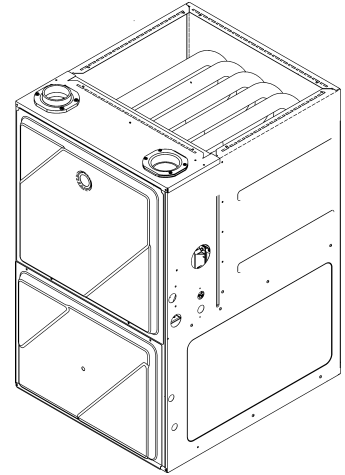

DM97MC 97% ECM Up Flow Furnace (34.5" Cabinet)

DM97MC0603BNAA
DM97MC0803BNAA
DM97MC0803BNAB
DM97MC0804CNAA
DM97MC0804CNAB
DM97MC1005CNAA
DM97MC1205DNAA



This manual is to be used by qualified technicians only.

This manual replaces RP-D2016

© 2014 ; 2021 **DAIKIN MANUFACTURING COMPANY, L.P.** ♦ 5151 San Felipe St, Suite 500 ♦ Houston, TX 77056

Important Information

Index

Functional Parts List	3
Illustration and Parts	4 - 11

Views shown are for parts illustrations only, not servicing procedures.

Text Codes:

AR - As Required

NA - Not Available

NS - Not Shown

00000000 - See Note

QTY - Quantity Example (QTY 3) (If Quantity not shown, Quantity = 1)

M - Model Example (M1) (If M Code not shown, then part is used on all Models)

Expanded Model Nomenclature:

Example
M1 - Model#1
M2 - Model#2
M3 - Model#3

Daikin Manufacturing Company, L.P. is not responsible for personal injury or property damage resulting from improper service. Review all service information before beginning repairs.

Warranty service must be performed by an authorized technician, using authorized factory parts. If service is required after the warranty expires, Daikin Manufacturing Company, L.P. also recommends contacting an authorized technician and using authorized factory parts.

Daikin Manufacturing Company, L.P. reserves the right to discontinue, or change at any time, specifications or designs without notice or without incurring obligations.

For assistance within the U.S.A. contact:

Homeowner Support
Daikin North America, LLC
19001 Kermier Road
Waller, Texas 77484
855-770-5678-Telephone
713-863-2382-Facsimile

For assistance outside the U.S.A. contact:

International Division
Daikin North America, LLC
19001 Kermier Road
Waller, Texas 77484
713-861-2500-Telephone
713-863-2382-Facsimile

Functional Parts

Part

No: **Description:**

SHARED DATA	Available thru CoolCloud HVAC app.
0163F00017	BECKETT BURNER (QTY 3)
0271F00159	BLOWER SHELL & WHEEL ASSY (M1, M2, M3)
0271F00161	BLOWER SHELL & WHEEL ASSY (M4, M5, M6)
0271F00163	BLOWER SHELL & WHEEL ASSY (M7)
0130F00010	FLAME SENSOR
0151M00024	GAS VALVE
0257F00306	HEAT EXCHANGER ASSY. (M2, M3)
0257F00305	HEAT EXCHANGER ASSY. (M1)
0257F00307	HEAT EXCHANGER ASSY. (M4, M5)
0257F00308	HEAT EXCHANGER ASSY. (M6)
0257F00309	HEAT EXCHANGER ASSY. (M7)
0130F00008	IGNITOR-SINI 17 SEC
0130M00141	INDUCTOR, 5.9 AMPS (M4, M5, M6, M7)
10123529	MANUAL RESET LIMIT - ROS (QTY 2)
0131M00272	MOTOR, 1 HP, SERIAL ECM (M6, M7)
0131M01002	MOTOR, 1/2 HP (M3)
0131M00270	MOTOR, 1/2 HP, SERIAL ECM (M1, M2)
0131M01003	MOTOR, 3/4 HP (M5)
0131M00271	MOTOR, 3/4 HP, SERIAL ECM (M4)
PCBKF202	PCB, FURNACE CONTROL
0130F00429	PRESSURE SWITCH
0130F00482	PRESSURE, SWITCH (M1, M2, M3, M4, M5)
0130F00483	PRESSURE, SWITCH (M6, M7)
20162903	PRIMARY LIMIT - BLUE (M4, M5, M6)
0130F00038	PRIMARY LIMIT - LT BLUE 120° (AUX) (QTY 2)
0130F00036	PRIMARY LIMIT - PINK (M7)
20162906	PRIMARY LIMIT - WHITE (M2, M3)
20162904	PRIMARY LIMIT-TEMPERATURE CONTROL (M1)
0130M00243	SWITCH, INTERLOCK
0130M00140	TRANSFORMER,(120V TO 24V,40VA,

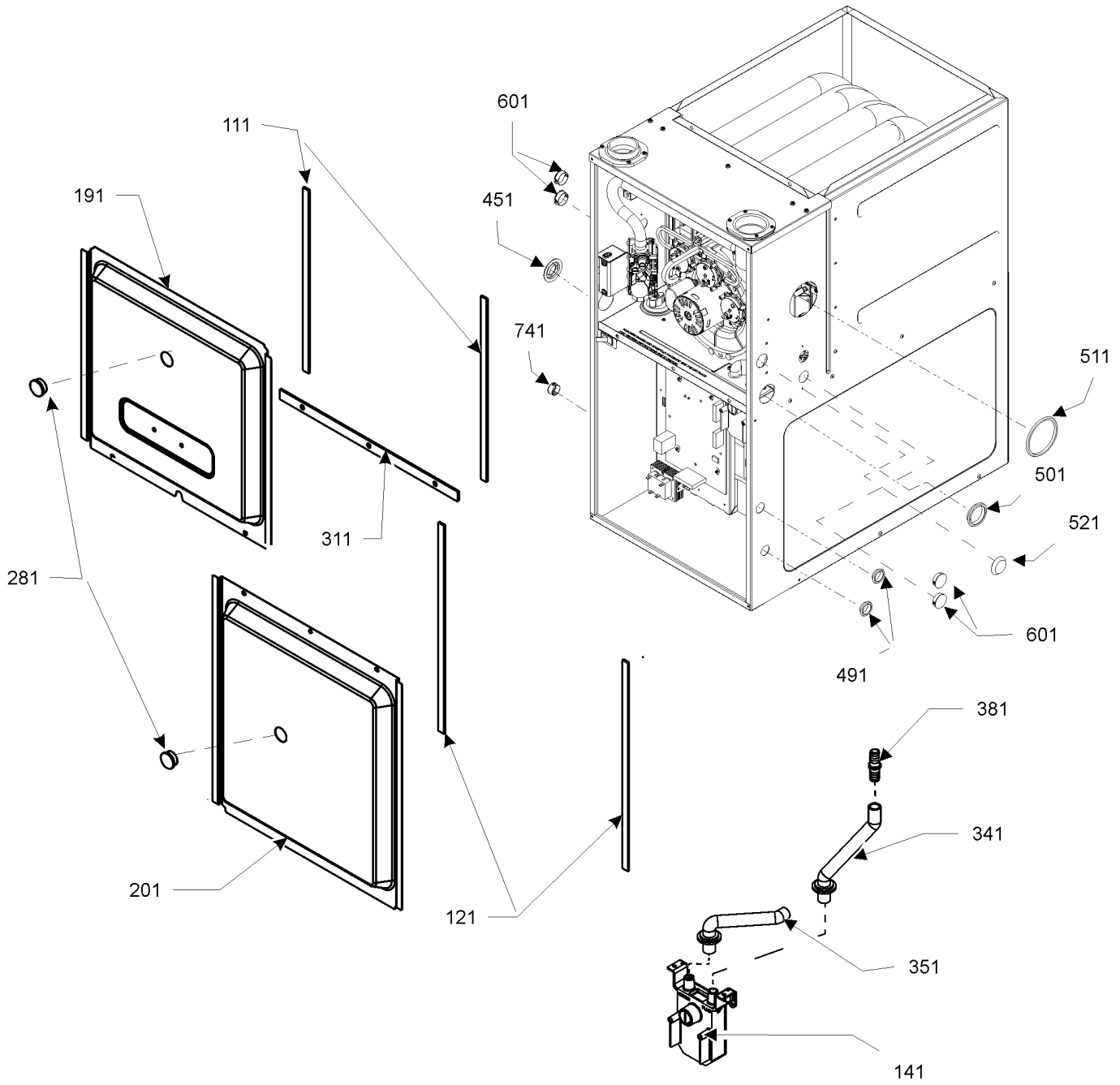
SPECIAL PARTS

0161F00090 NAMEPLATE, DAIKIN

Expanded Model Nomenclature

M1 - DM97MC0603BNAA
M2 - DM97MC0803BNAA
M3 - DM97MC0803BNAB
M4 - DM97MC0804CNAA
M5 - DM97MC0804CNAB
M6 - DM97MC1005CNAA
M7 - DM97MC1205DNAA

Cabinet



Cabinet

Ref. Part No:	Ref. Part No:	Description:	Description:
Image 1:			
111	0154F00024	GASKET (QTY 2)	
121	0154F00025	GASKET (QTY 2)	
141	0161F00046	DRAIN TRAP	
191	0121F00338NG	DOOR ACCESS 21" PNT (M4, M5, M6)	
191	0121F00337NG	DOOR, ACCESS 17.5" PNT (M1, M2, M3)	
191	0121F00339NG	DOOR, ACCESS 24.5" PNT (M7)	
201	0121F00340NG	DOOR, BLOWER 17.5" PNT (M1, M2, M3)	
201	0121F00341NG	DOOR, BLOWER 21" PNT (M4, M5, M6)	
201	0121F00342NG	DOOR, BLOWER 24.5" PNT (M7)	
281	B1392139	VIEW PORT BUSHING (QTY 2)	
311	0154F00020	DECK GASKET (M1, M2, M3)	
311	0154F00021	DECK GASKET (M4, M5, M6)	
311	0154F00022	DECK GASKET (M7)	
341	0164F00017	HOSE-ELBOW/TRAP	
351	0164F00006	HOSE, COVER/TRAP (M7)	
351	0164F00024	HOSE, COVER/TRAP (M1, M2, M3, M4, M5, M6)	
381	0161F00047	BARDED HOSE COUPLING	
451	M0501301	PIPE GROMMET	
491	M0570808	BUTTON PLUG (QTY 3)	
501	M0570806	BUTTON PLUG	
511	M0570807	BUTTON PLUG	
521	0161M00027	HOLE PLUG	
601	B1392021	PLASTIC PLUG, 1" (2713-BLK) (QTY 4)	
741	B1392104	UNIVERSAL BUSHING UB 875	
NS	M0310345	BUTTON PLUG (QTY 2)	
NS	0163M00460	CLAMP-HOSE (QTY 2)	
NS	0154F00041	GASKET FRESH AIR (QTY 2)	
NS	0161F00090	NAMEPLATE, DAIKIN	
NS	M0273904	RETAINER-SCREW (QTY 3)	
NS	M0209730	SCREW-DECORATIVE (QTY 3)	
NS	0270F05248	DRAIN KIT ASSY	
NS	0270F05248	DRAIN KIT ASSY	

Expanded Model Nomenclature

M1 - DM97MC0603BNAA
M2 - DM97MC0803BNAA
M3 - DM97MC0803BNAB
M4 - DM97MC0804CNAA
M5 - DM97MC0804CNAB
M6 - DM97MC1005CNAA
M7 - DM97MC1205DNAA

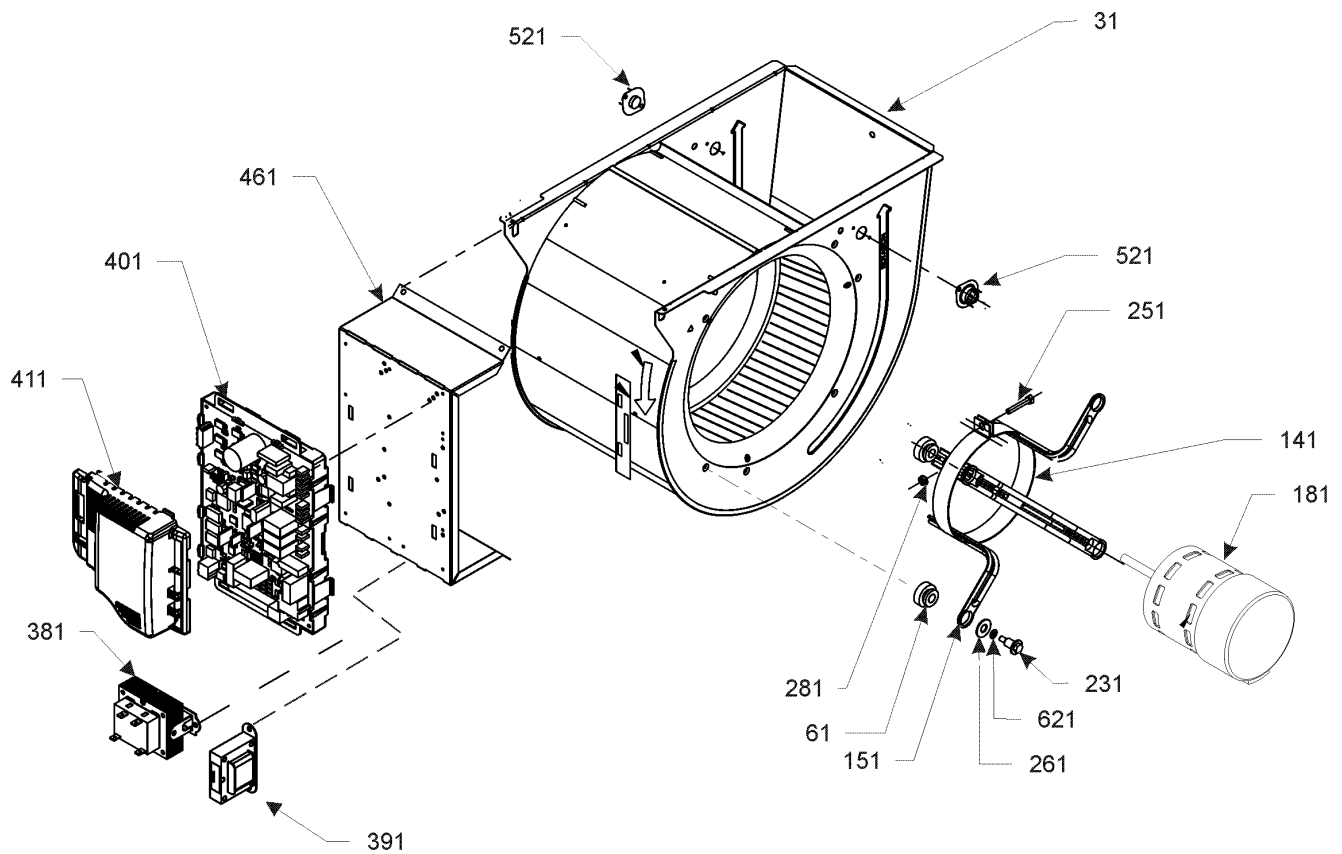
Blower Assembly

*If end bells are needed please order the following:

0131M00182 - 1/2 HP

0131M00183 - 3/4 HP

0131M00184 - 1 HP



Blower Assembly

Ref. Part No:	Part No:	Description:	Ref. Part No:	Part No:	Description:
Image 1:					
31	0271F00159	BLOWER SHELL & WHEEL ASSY (M1, M2, M3)			
31	0271F00161	BLOWER SHELL & WHEEL ASSY (M4, M5, M6)			
31	0271F00163	BLOWER SHELL & WHEEL ASSY (M7)			
61	A4002702	GROMMET (M4, M5, M6, M7)			
141	0121M00038	MOTOR MOUNT BAND (M1, M2, M3)			
141	10441601	MOTOR MOUNT BAND (M4, M5, M6, M7)			
151	10441501	MOTOR MOUNT ARM (M4, M5, M6, M7)			
151	B1376857	MOTOR MOUNT ARM (M1, M2, M3)			
181	0131M00272	MOTOR, 1 HP, SERIAL ECM (M6, M7)			
181	0131M01002	MOTOR, 1/2 HP (M3)			
181	0131M00270	MOTOR, 1/2 HP, SERIAL ECM (M1, M2)			
181	0131M01003	MOTOR, 3/4 HP (M5)			
181	0131M00271	MOTOR, 3/4 HP, SERIAL ECM (M4)			
231	0163F00028	SCREW (M4, M5, M6, M7)			
231	M0250565	TC SCREW 1.25" (M1, M2, M3)			
251	B1393323	MACHINE SCREW (M1, M2, M3, M5)			
251	M0267144	MACHINE SCREW (M4, M6, M7)			
261	B1392918	FLAT WASHER (M1, M2, M3)			
261	M0274008	FLAT WASHER (M4, M5, M6, M7)			
281	M0282015	KEPS NUT (M4, M6, M7)			
281	B1393800	NYLON LOCKNUT (M1, M2, M3, M5)			
381	0130M00140	TRANSFORMER, (120V TO 24V, 40VA,			
391	0130M00141	INDUCTOR, 5.9 AMPS (M4, M5, M6, M7)			
401	PCBKF202	PCB, FURNACE CONTROL			
411	0161F00014	CONTROL BOARD COVER			
461	0121F00464	CONTROL MOUNTING PLATE			
521	0130F00038	PRIMARY LIMIT - LT BLUE 120° (AUX) (QTY 2)			
621	B1392820	SLIT LOCK WASHER (M4, M5, M6, M7)			
NS	B1392021	1" PLASTIC PLUG (QTY 4)			
NS	SHARED DATA	Available thru CoolCloud HVAC app.			
NS	0259F00024	HARNESS - BLOWER			
NS	0259F00040	HARNESS - CONTROL			
NS	0259F00041	HARNESS - POWER			

Expanded Model Nomenclature

M1 - DM97MC0603BNAA
M2 - DM97MC0803BNAA
M3 - DM97MC0803BNAB
M4 - DM97MC0804CNAA
M5 - DM97MC0804CNAB
M6 - DM97MC1005CNAA
M7 - DM97MC1205DNAA

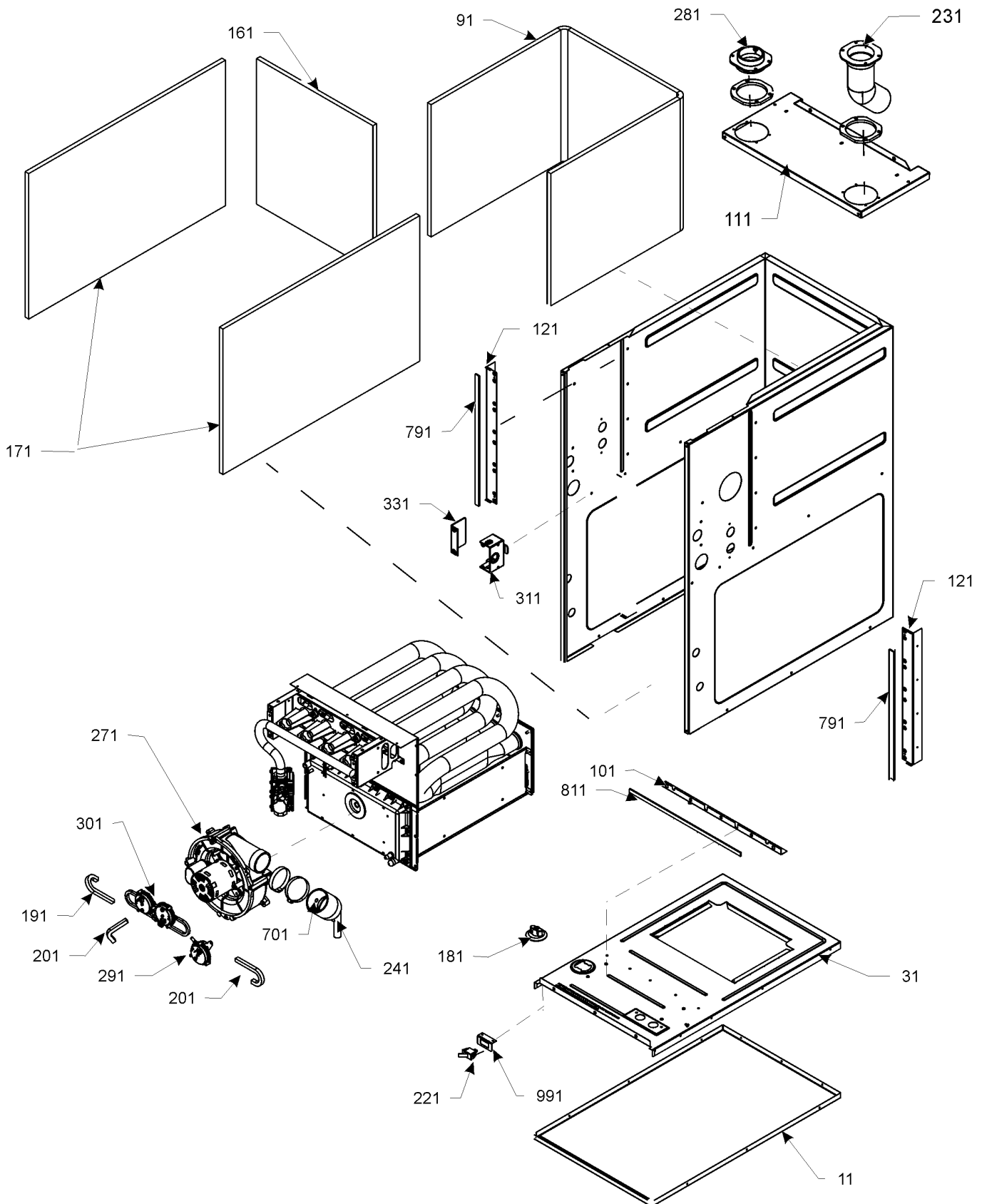
*If end bells are needed please order the following:

0131M00182 - 1/2 HP

0131M00183 - 3/4 HP

0131M00184 - 1 HP

Chassis



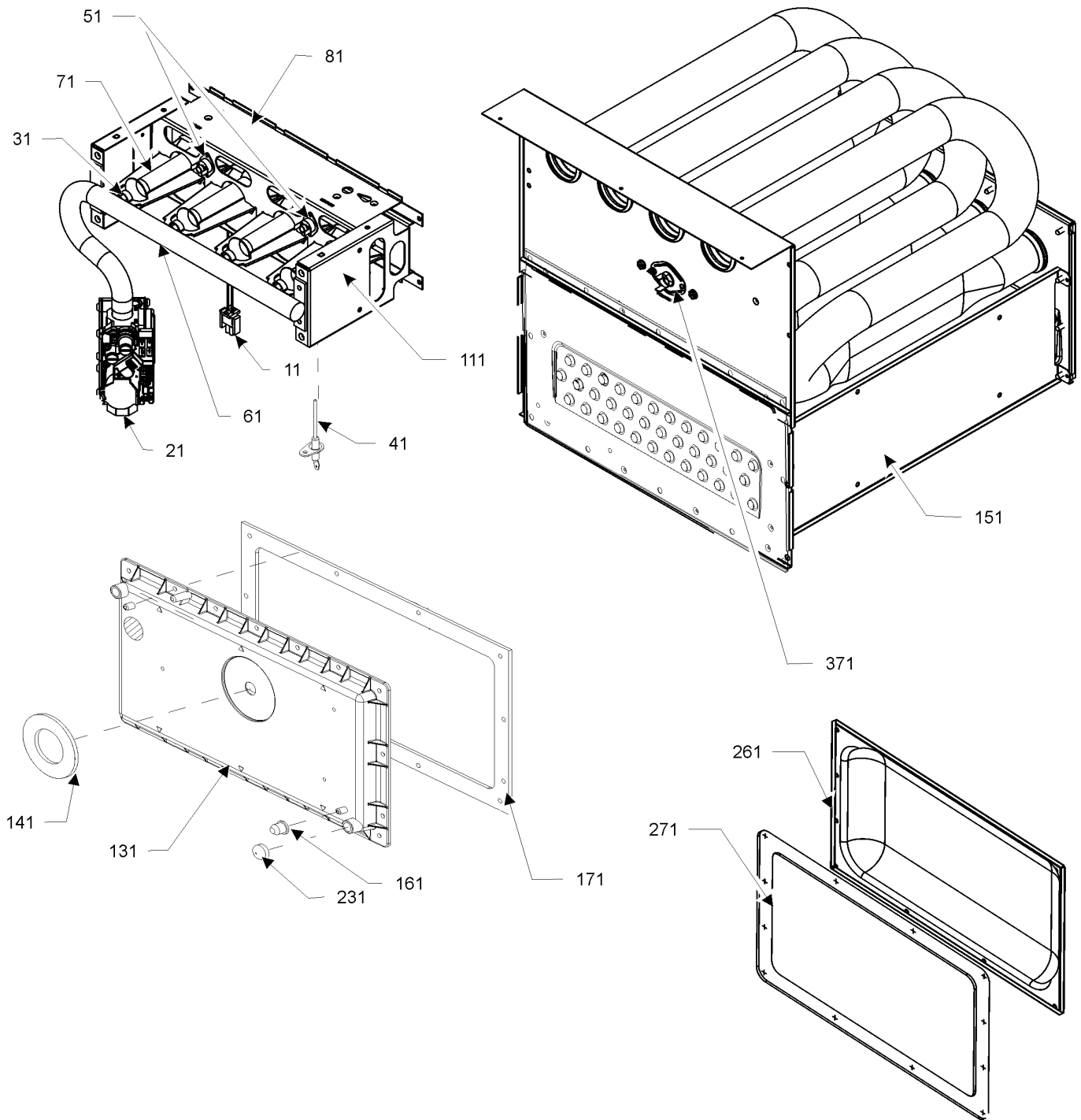
Chassis

Ref. Part No:	Part No:	Description:	Ref. Part No:	Part No:	Description:
Image 1:					
11	0121F00530DG	BASEPAN, 17.5 (M1, M2, M3)			
11	0121F00531DG	BASEPAN, 21 PNT (M4, M5, M6)			
11	0121F00532DG	BASEPAN, 24.5 PNT (M7)			
31	0121F00533	DECK-BLOWER 17.5" (M1, M2, M3)			
31	0121F00534	DECK-BLOWER 21" (M4, M5, M6)			
31	0121F00535	DECK-BLOWER 24.5" (M7)			
91	0160F00015	INSULATION, HT EXCHANGER 17.5" (M1, M2, M3)			
91	0160F00016	INSULATION, HT EXCHANGER 21" (M4, M5, M6)			
91	0160F00017	INSULATION, HT EXCHANGER 24.5" (M7)			
101	0121F00314	ANGLE, DECK (M1, M2, M3)			
101	0121F00315	ANGLE, DECK (M4, M5, M6)			
101	0121F00316	ANGLE, DECK (M7)			
111	0121F00279DG	PAINTED TOP, FURNACE 17.5 (M1, M2, M3)			
111	0121F00280DG	PAINTED TOP, FURNACE 21 (M4, M5, M6)			
111	0121F00281DG	PAINTED TOP, FURNACE 24.5 (M7)			
121	0121F00313	SIDE ANGLE (QTY 2)			
161	0160F00012	INSULATION-BACK 17.5" (M1, M2, M3)			
161	0160F00013	INSULATION-BACK 21" (M4, M5, M6)			
161	0160F00014	INSULATION-BACK 24.5" (M7)			
171	0160F00018	INSULATION, SIDE (QTY 2)			
181	0159F00072	HARNESS, WIRING (M1, M2, M3)			
181	0159F00073	HARNESS, WIRING (M4, M5, M6, M7)			
191	0164M00118	HOSE- PRESSURE SW 10" (M4, M5, M6)			
191	0164M00120	HOSE- PRESSURE SW 14" (M7)			
191	0164M00116	HOSE- PRESSURE SW 7" (M1, M2, M3)			
201	0164M00115	HOSE- PRESSURE SW 6"			
221	0130M00243	SWITCH, INTERLOCK			
231	0164F00002	FLUE PIPE W/BEND			
241	0164F00025	ELBOW-FLUE,UPFLOW			
271	0171M00003	MOTOR-ID, BLOWER			
281	0161F00037	COUPLING			
291	0130F00429	PRESSURE SWITCH			
301	0130F00482	PRESSURE, SWITCH (M1, M2, M3, M4, M5)			
301	0130F00483	PRESSURE, SWITCH (M6, M7)			
311	0161F00042	JUNCTION BOX			
331	0161F00043	JUNCTION BOX LID			
701	M0326804	TUBE PLUG			
791	0154F00015	GASKET (QTY 2)			
811	0154F00014	GASKET (M1, M2, M3)			
811	0154F00016	GASKET (M4, M5, M6)			
811	20194607	GASKET (M7)			
991	0121F00389	BRACKET, DOOR SWITCH			
NS	0154F00020	GASKET, DECK (M1, M2, M3)			
NS	0154F00021	GASKET, DECK (M4, M5, M6)			
NS	0154F00022	GASKET, DECK (M7)			

Expanded Model Nomenclature

M1 - DM97MC0603BNAA
M2 - DM97MC0803BNAA
M3 - DM97MC0803BNAB
M4 - DM97MC0804CNAA
M5 - DM97MC0804CNAB
M6 - DM97MC1005CNAA
M7 - DM97MC1205DNAA

Heat Exchanger / Manifold / Gas Valve



Heat Exchanger / Manifold / Gas Valve

Ref. Part No:	Part No:	Description:	Ref. Part No:	Part No:	Description:
Image 1:					
11	0130F00008	IGNITOR-SINI 17 SEC			
21	0151M00024	GAS VALVE			
31	10716005	ORIFICE (QTY 3)			
41	0130F00010	FLAME SENSOR			
51	10123529	MANUAL RESET LIMIT - ROS (QTY 2)			
61	0163F00008	MANIFOLD (M1)			
61	0163F00009	MANIFOLD (M4, M5)			
61	0163F00010	MANIFOLD (M6)			
61	0163F00011	MANIFOLD (M7)			
61	0163F00014	MANIFOLD (M2, M3)			
71	0163F00017	BECKETT BURNER (QTY 3)			
81	0121F00455	BRACKET-BURNER 3 (M1)			
81	0121F00454	BRACKET-BURNER 4 (M2, M3, M4, M5)			
81	0121F00453	BRACKET-BURNER 5 (M6)			
81	0121F00451	BRACKET-BURNER 6 (M7)			
111	0121F00458	ORIFICE BRACKET-BURNER 3 (M1)			
111	0121F00457	ORIFICE BRACKET-BURNER 4 (M2, M3, M4, M5)			
111	0121F00452	ORIFICE BRACKET-BURNERS 5 (M6)			
111	0121F00447	ORIFICE BRACKET-BURNERS 6 (M7)			
131	0161F00018	FRONT COVER (M6)			
131	0161F00031	FRONT COVER (M2, M3)			
131	0161F00056	FRONT COVER (M1)			
131	0161F00065	FRONT COVER (M4, M5)			
131	0161F00066	FRONT COVER (M7)			
141	0154F00026	GASKET FRONT COVER (M1, M2, M3)			
141	0154F00030	GASKET FRONT COVER (M4, M5, M6)			
141	0154F00034	GASKET FRONT COVER (M7)			
151	0257F00305	HEAT EXCHANGER ASSY. (M1)			
151	0257F00306	HEAT EXCHANGER ASSY. (M2, M3)			
151	0257F00307	HEAT EXCHANGER ASSY. (M4, M5)			
151	0257F00308	HEAT EXCHANGER ASSY. (M6)			
151	0257F00309	HEAT EXCHANGER ASSY. (M7)			
161	M0326804	TUBE PLUG			
171	0154F00043	GASKET ID BLOWER			
231	A1781105	CAP-VINYL .500			
261	0121F00317	REAR COVER (M1, M2, M3)			
261	0121F00318	REAR COVER (M4, M5, M6)			
261	0121F00319	REAR COVER (M7)			
271	0154F00037	GASKET, REAR CVR (M1, M2, M3)			
271	0154F00038	GASKET, REAR CVR (M4, M5, M6)			
271	0154F00039	GASKET, REAR CVR (M7)			
371	20162903	PRIMARY LIMIT - BLUE (M4, M5, M6)			
371	0130F00036	PRIMARY LIMIT - PINK (M7)			
371	20162906	PRIMARY LIMIT - WHITE (M2, M3)			
371	20162904	PRIMARY LIMIT-TEMPERATURE CONTROL (M1)			

Expanded Model Nomenclature

M1 - DM97MC0603BNAA
M2 - DM97MC0803BNAA
M3 - DM97MC0803BNAB
M4 - DM97MC0804CNAA
M5 - DM97MC0804CNAB
M6 - DM97MC1005CNAA
M7 - DM97MC1205DNAA