

REPAIR PARTS

CHPE Indoor Horizontal Cased Coil

CHPE4860D4AA



This manual is to be used by qualified technicians only.

© 2018 Goodman Manufacturing Company, L.P. ♦ 5151 San Felipe St, Suite 500 ♦ Houston, TX 77056

Important Information

Index

Functional Parts List	3
Illustration and Parts	4 - 7

Views shown are for parts illustrations only, not servicing procedures.

Text Codes:

AR - As Required

NA - Not Available

NS - Not Shown

00000000 - See Note

QTY - Quantity Example (QTY 3) (If Quantity not shown, Quantity = 1)

M - Model Example (M1) (If M Code not shown, then part is used on all Models)

Expanded Model Nomenclature:

Example M1 - Model#1 M2 - Model#2 M3 - Model#3

Goodman Manufacturing Company, L.P. is not responsible for personal injury or property damage resulting from improper service. Review all service information before beginning repairs.

Warranty service must be performed by an authorized technician, using authorized factory parts. If service is required after the warranty expires, Goodman Manufacturing Company, L.P. also recommends contacting an authorized technician and using authorized factory parts.

Goodman Manufacturing Company, L.P. reserves the right to discontinue, or change at any time, specifications or designs without notice or without incurring obligations.

For assistance within the U.S.A. contact:
Homeowner Support
Goodman Manufacturing Company, L.P.
19001 Kermier Road
Waller, Texas 77484
877-254-4729-Telephone
713-863-2382-Facsimile

For assistance outside the U.S.A. contact:
International Division
Goodman Manufacturing Company, L.P.
19001 Kermier Road
Waller, Texas 77484
713-861-2500-Telephone
713-863-2382-Facsimile

Functional Parts

Part

No:

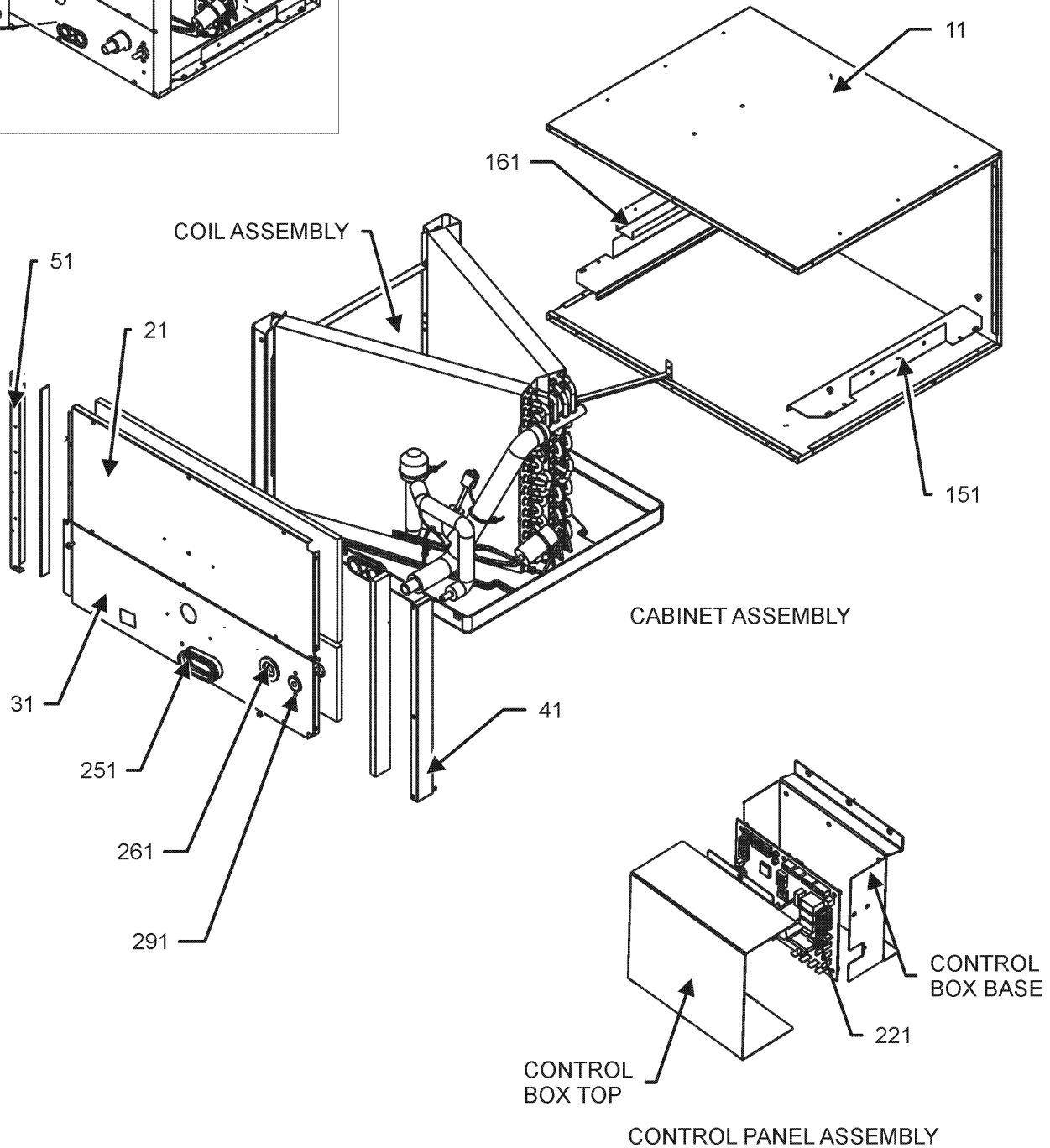
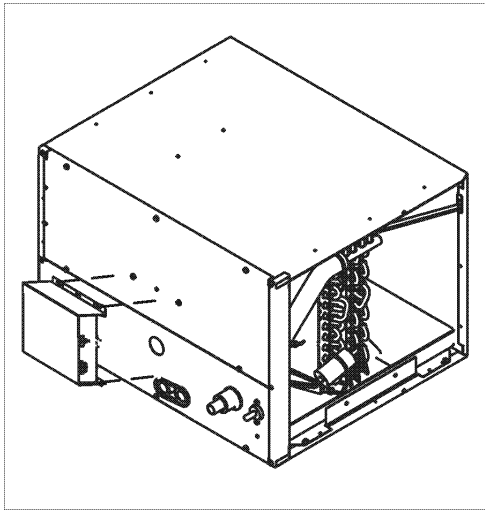
Description:

3P381420-2	EEV COIL
2P383866-2	PCB FAN ASSY
3S481012-1	PRESSURE SENSOR
3S500031-1	PULSE MOTOR EXPANS EEV
0130M00589	SHARED DATA, CHPE4860D4

Expanded Model Nomenclature

M1 - CHPE4860D4AA

CABINET ASSEMBLY



CABINET ASSEMBLY

Ref. Part No:	No:	Description:	Ref. Part No:	No:	Description:
---------------	-----	--------------	---------------	-----	--------------

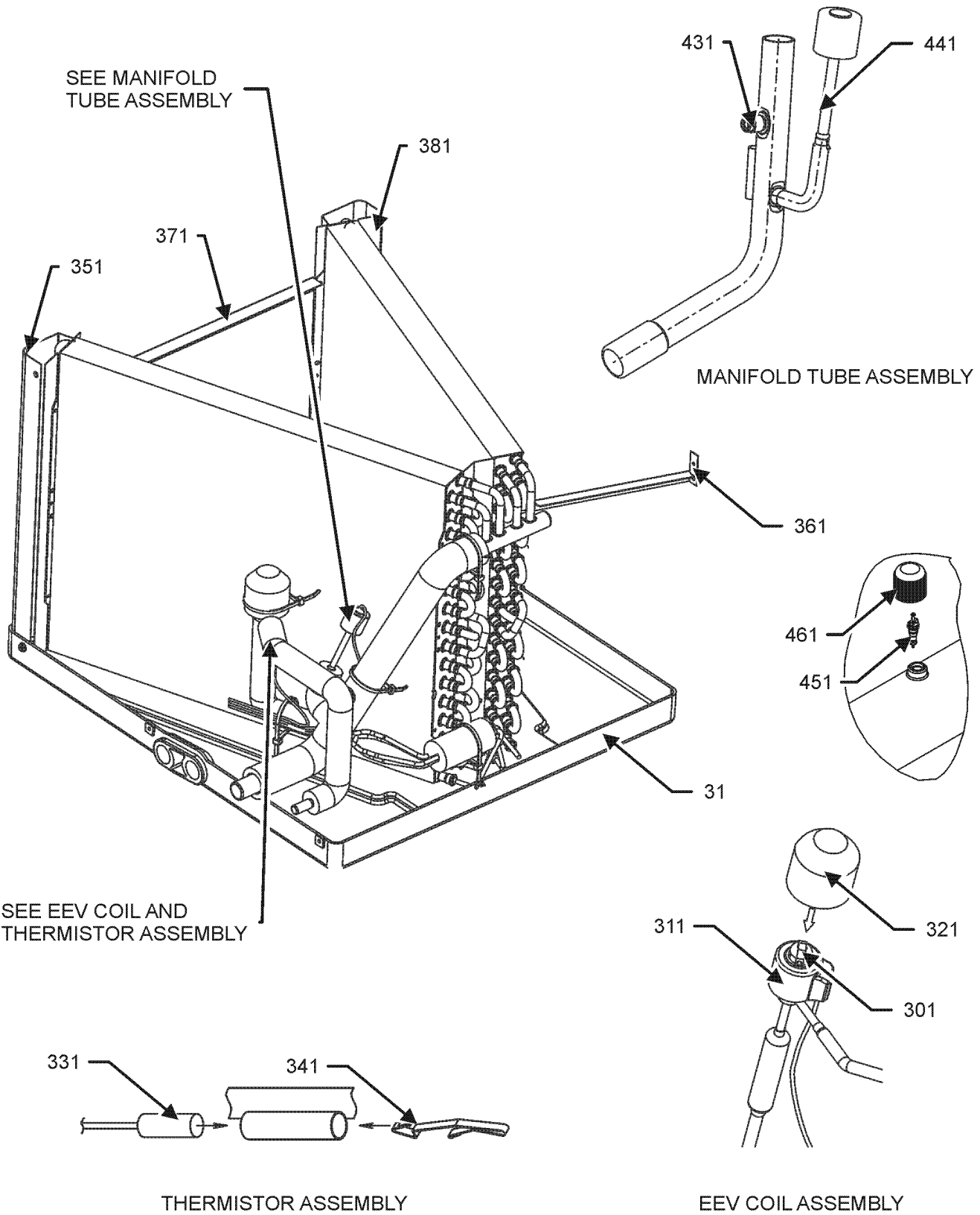
Image 1:

11	0121D00470	WRAPPER, CASED EVAP COIL
21	0121D00712PDG	PNL ACCESS UPR, CASED E COIL
31	0121D00724PDG	PNL ACCESS LWR, CASED E COIL
41	0121A00792PDG	RAIL, TOP 21" PAINTED
51	0121A01127PDG	RAIL, BOTTOM 24.5",PAINTED
151	3810022D	BOTTOM RAIL BRACKET (QTY 2)
161	6071200	U CHANNEL BRACKET
221	2P383866-2	PCB FAN ASSY
251	0154A00000BL	GASKET DRAIN PAN
261	B1392630	GROMMET
291	0164A00002	GROMMET
NS	M0501302	GROMMET-PIPE
NS	0121D00590	PNL BASE, CONTROL BOX
NS	0121D00589PDG	PNL TOP, CONTROL BOX
NS	0130M00589	SHARED DATA, CHPE4860D4
NS	0259A00038	WIRE HARNESS ASSY
NS	0259A00039	WIRE HARNESS ASSY
NS	0259A00040	WIRE HARNESS ASSY
NS	0259D00006	WIRE HARNESS ASSY
NS	0259D00001	WIRE HARNESS (TRANSFORMER - PCB)

Expanded Model Nomenclature

M1 - CHPE4860D4AA

COIL TUBING ASSEMBLY



NOTE: COIL ASSEMBLY MAY DIFFER FROM WHAT IS SHOWN

COIL TUBING ASSEMBLY

Ref. Part No:	No:	Description:	Ref. Part No:	No:	Description:
---------------	-----	--------------	---------------	-----	--------------

Image 1:

31	B1755943DF	SM & MD DRAIN PAN (HT)			
301	3S500031-1	PULSE MOTOR EXPANS EEV			
311	3P381420-2	EEV COIL			
321	4P399446-1	WATERPROOF CAP			
331	4P389796-1	THERMISTOR ASSY			
341	4PA38890-1	MOUNTING SPRING, THERMISTOR			
351	6071000	COIL SUPPORT, LARGE (HT) (QTY 2)			
361	0121D00086	BRACKET, COIL STIFF FR			
371	6070905	COIL STIFFENING BRACKET REAR			
381	6071003	COIL BRACKET EXTENSION, (HT) (QTY 2)			
431	B1373311	ACCESS VALVE FITTING			
441	3S481012-1	PRESSURE SENSOR			
451	B1787000	VALVE CORE			
461	0163M00175	CAP W/O-RING			
NS	3P277773-25	FILTER			
NS	3P277773-8	FILTER			
NS	0121D00788	PNL DRIP SHIELD, E-COIL (QTY 2)			

Expanded Model Nomenclature

M1 - CHPE4860D4AA