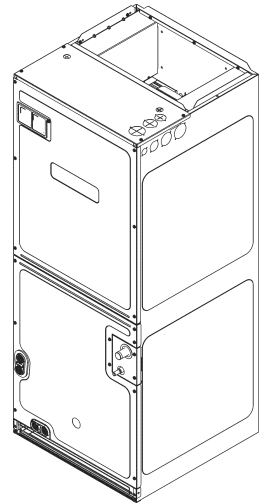


DVPEC Air Handler**

DV37PECC14AD

DV59PECD14AD

DV61PECD14AD



This manual is to be used by qualified technicians only.

Important Information

Index

Functional Parts List	3
Illustration and Parts	4 - 9

Views shown are for parts illustrations only, not servicing procedures

Text Codes:

AR - As Required

NA - Not Available

NS - Not Shown

00000000 - See Note

QTY - Quantity Example (QTY 3) (If Quantity not shown, Quantity = 1)

M - Model Example (M1) (If M Code not shown, then part is used on all Models)

Expanded Model Nomenclature:

Example M1 - Model#1 M2 - Model#2 M3 - Model#3

Daikin Manufacturing Company, L.P. is not responsible for personal injury or property damage resulting from improper service. Review all service information before beginning repairs.

Warranty service must be performed by an authorized technician, using authorized factory parts. If service is required after the warranty expires, Daikin Manufacturing Company, L.P. also recommends contacting an authorized technician and using authorized factory parts.

Daikin Manufacturing Company, L.P. reserves the right to discontinue, or change at any time, specifications or designs without notice or without incurring obligations.

For assistance within the U.S.A. contact:

Homeowner Support
Daikin North America, LLC
19001 Kermier Road
Waller, Texas 77484
855-770-5678-Telephone
713-863-2382-Facsimile

For assistance outside the U.S.A. contact:

International Division
Daikin North America, LLC
19001 Kermier Road
Waller, Texas 77484
713-861-2500-Telephone
713-863-2382-Facsimile

Functional Parts

Part

No: Description:

0131M00272	MOTOR, 1 HP, SERIAL ECM (M2, M3)
0131M00271	MOTOR, 3/4 HP, SERIAL ECM (M1)
2P383866-1	PCB FAN ASSY
3S481012-1	PRESSURE SENSOR
0130M00565	SHARED DATA (M3)
0130M00564	SHARED DATA (M2)
0130M00563	SHARED DATA (M1)
0130M00330	TRANSFORMER, 208/230, 24V (QTY 2)

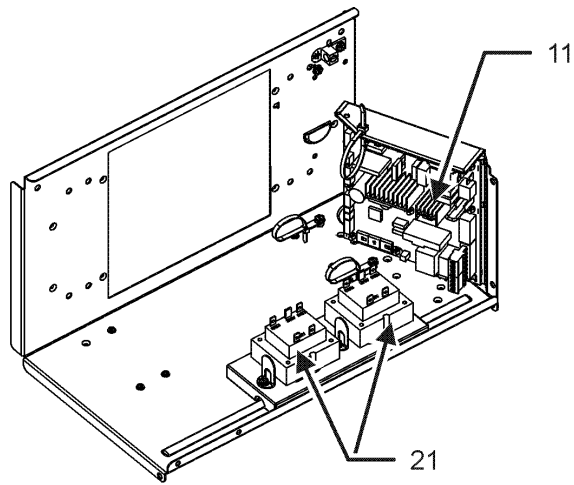
Expanded Model Nomenclature

M1 - DV37PECC14AD

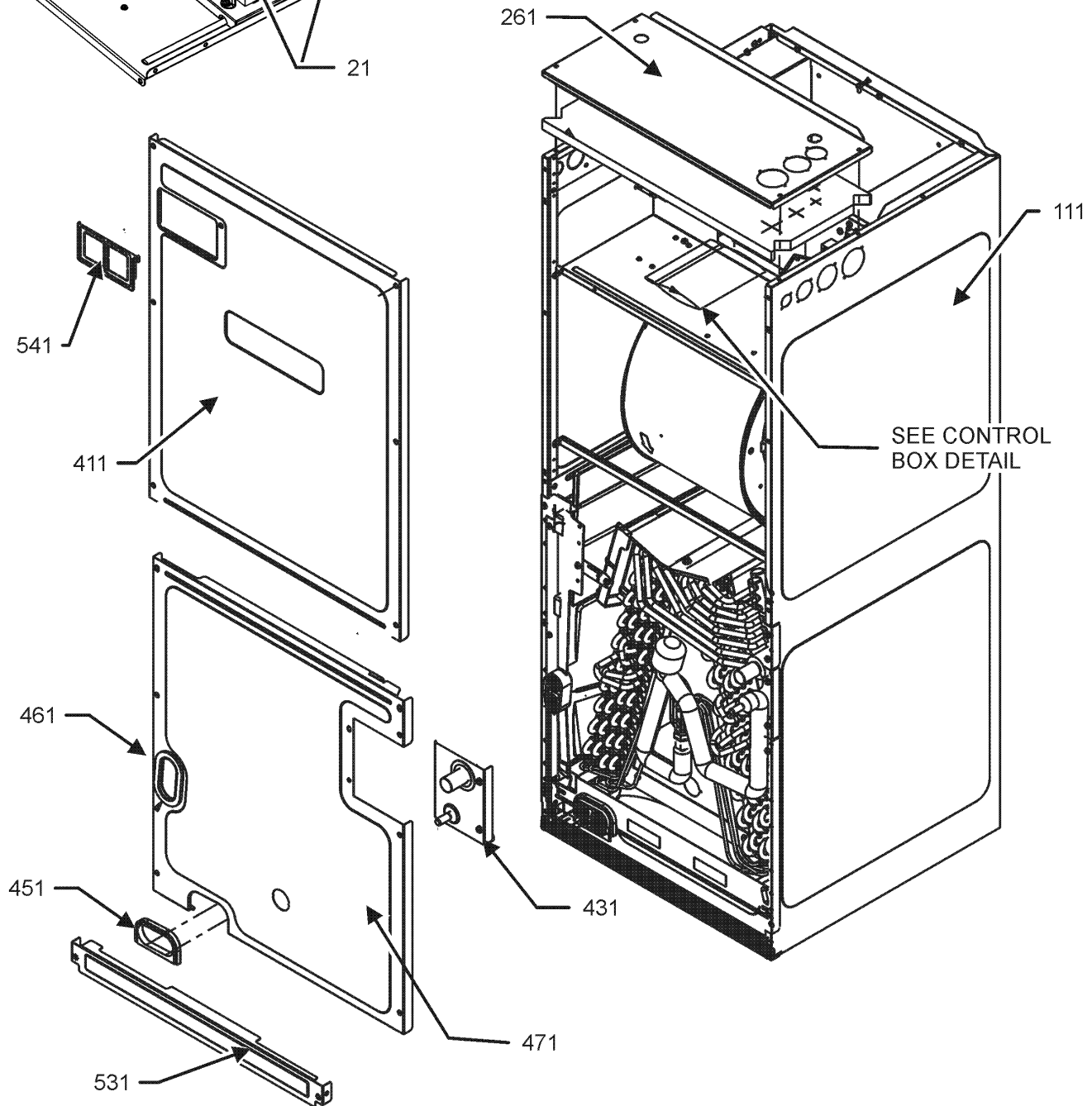
M2 - DV59PECD14AD

M3 - DV61PECD14AD

WRAPPER & CONTROL BOX ASSY



CONTROL BOX DETAIL



SEE CONTROL BOX DETAIL

WRAPPER & CONTROL BOX ASSY

Ref. Part No:	Part No:	Description:	Ref. Part No:	Part No:	Description:
---------------	----------	--------------	---------------	----------	--------------

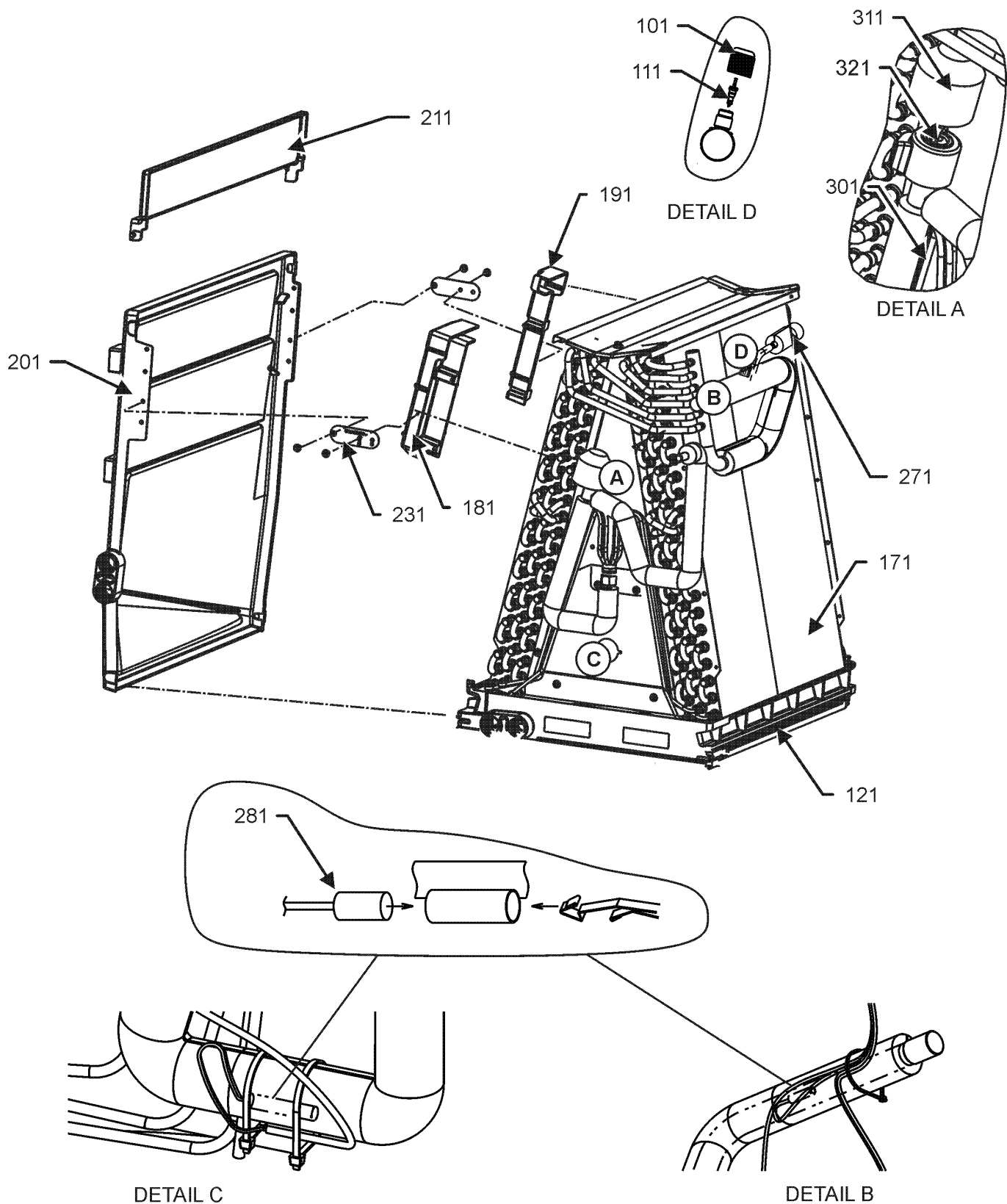
Image 1:

11	2P383866-1	PCB FAN ASSY			
21	0130M00330	TRANSFORMER, 208/230, 24V (QTY 2)			
111	0121A00276PNG	Wrapper (M3)			
111	0121A00455PNG	Wrapper (M2)			
111	0121A00456PNG	Wrapper (M1)			
261	0121A00253PNG	PLATE, UPPER TIE (M1)			
261	0121A00254PNG	PLATE, UPPER TIE (M2, M3)			
411	0121A00836PNG	PANEL, UPPER ACCESS (M2, M3)			
411	0121A00837PNG	PANEL, UPPER ACCESS (M1)			
431	0121A00658PNG	Panel, Refrigerant Tubing			
451	0154A00006BL	GASKET, DRAIN PAN			
461	0154A00007BL	GASKET, DRAIN PAN			
471	0121A00460PNG	Panel, Lower Access (M2)			
471	0121A00461PNG	Panel, Lower Access (M1)			
471	0121A00618PNG	Panel, Lower Access (M3)			
531	0121A00243PNG	Panel, Filter Access (M1)			
531	0121A00244PNG	Panel, Filter Access (M2, M3)			
541	0161A00073	CIRCUIT BREAKER COVER			
NS	0164A00002	GROMMET			
NS	0163M00036	SCREW,#10X1/2,B,BZ,SLOT,SR,BLK (QTY 4)			
NS	0130M00563	SHARED DATA (M1)			
NS	0130M00564	SHARED DATA (M2)			
NS	0130M00565	SHARED DATA (M3)			
NS	0163A00026	THUMB SCREW (QTY 2)			
NS	BT1392909	WASHER; SS RETAINING (QTY 2)			
NS	0259A00033P	WIRE ASSY, 9 PIN FEMALE CONN.			
NS	0259A00021	WIRE ASSY, 9 PIN FEMALE CONN. (NO ELEC HEAT)			
NS	0259A00023	WIRE HARNESS (MAIN PCB TO PRES SENSOR)			
NS	0259A00024	WIRE HARNESS (MAIN PCB TO THERMISTORS)			
NS	0259A00025	WIRE HARNESS (PCB TO EEV COIL)			
NS	0259A00031P	WIRE HARNESS, CONNECTOR			

Expanded Model Nomenclature

M1 - DV37PECC14AD
M2 - DV59PECD14AD
M3 - DV61PECD14AD

COIL ASSEMBLY



NOTE: COIL TUBING ASSEMBLY MAY DIFFER FROM WHAT IS SHOWN

COIL ASSEMBLY

Ref. Part No:	No:	Description:	Ref. Part No:	No:	Description:
---------------	-----	--------------	---------------	-----	--------------

Image 1:

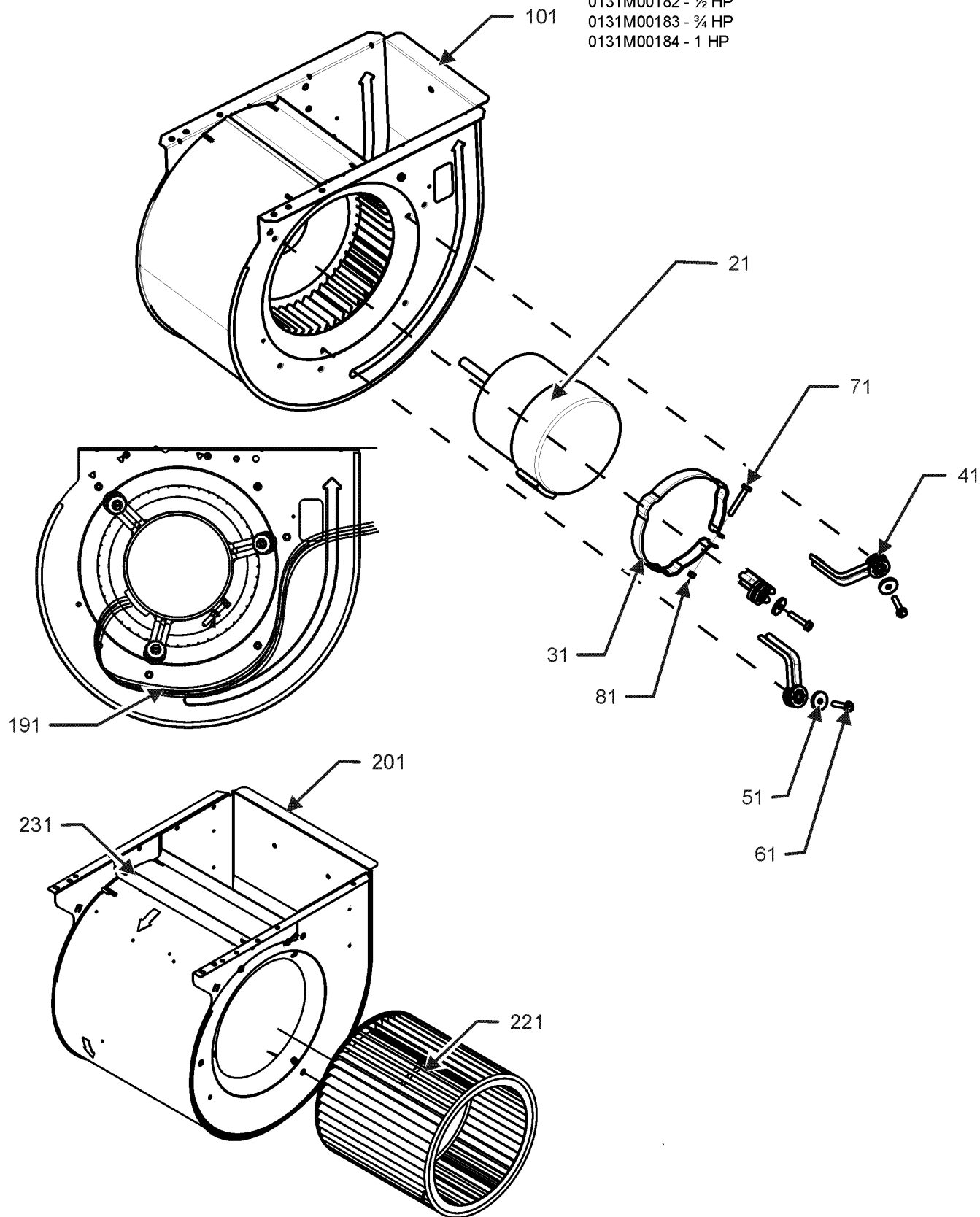
101	0163M00175	CAP WITH O-RING
111	B1787000	VALVE CORE
121	0161A00051	DRAINPAN, VERTICAL (M2, M3)
121	0161A00052	DRAINPAN, VERTICAL (M1)
171	0270A01027	COIL TUBING ASSY (M1)
171	0270A01028	COIL TUBING ASSY (M2)
171	0270A01029	COIL TUBING ASSY (M3)
181	0161A00060	CONDENSATE, COLLECT, FRONT
191	0161A00061	CONDENSATE, COLLECT, BACK
201	0161A00053	DRAIN PAN HORIZONTAL, TALL
211	0161A00054	DRAIN PAN, EXTENSION, SMALL (M1, M2)
211	0161A00056	DRAIN PAN, EXTENSION, TALL (M3)
231	0121A00633	BRACKET, DRIP SHIELD (M1)
231	0121A00634	BRACKET, DRIP SHIELD (M2, M3)
271	3S481012-1	PRESSURE SENSOR
281	4P389796-1	THERMISTOR ASSY
301	3P381420-2	EEV COIL
311	4P399446-1	WATERPROOF CAP
321	3S500031-1	Pulse Motor Expans EEV

Expanded Model Nomenclature

M1 - DV37PECC14AD
M2 - DV59PECD14AD
M3 - DV61PECD14AD

BLOWER ASSEMBLY

*If end bells are needed please order the following:
0131M00182 - 1/2 HP
0131M00183 - 3/4 HP
0131M00184 - 1 HP



BLOWER ASSEMBLY

Ref. Part No:	No:	Description:	Ref. Part No:	No:	Description:
---------------	-----	--------------	---------------	-----	--------------

Image 1:

21	0131M00272	MOTOR, 1 HP, SERIAL ECM (M2, M3)
21	0131M00271	MOTOR, 3/4 HP, SERIAL ECM (M1)
31	0121M00039	MOTOR MOUNT BAND (HEAVY DUTY)
41	B1376863	MOTOR MOUNT ARM (HEAVY DUTY) (QTY 3)
51	B1392918	WASHER, FLAT 1/4 ID X 1 OD (QTY 3)
61	M0250565	TC SCREW 1.25" (QTY 3)
71	0163M00320	HEX HED ALL THREAD TAP BOLT
81	B1393800	LOCKNUT, NYLON, INSERT 1/4,20
101	0271A00206	BLOWER SHELL ASSY (M2, M3)
191	0259M00008	WIRE HARNESS
201	0271A00016	BLOWER SHELL ASSY (M1)
221	764741	BLOWER BLOCK-OFF 10 X 10 (M1)
231	D6723306	BLOWER WHEEL (M1)
NS	B1393530	SCREW HWH,10 X 1/2, A, YZD, SLOT, SR

Expanded Model Nomenclature

M1 - DV37PECC14AD
M2 - DV59PECD14AD
M3 - DV61PECD14AD